
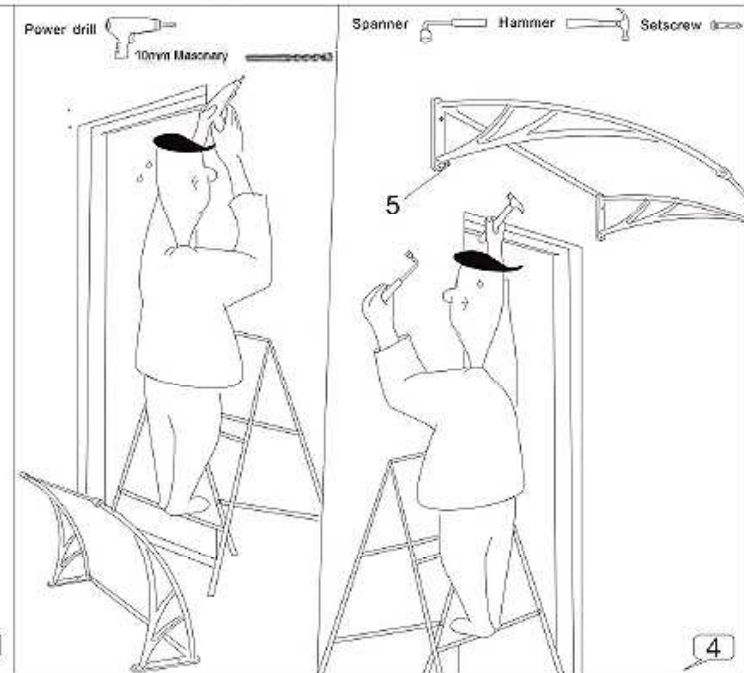
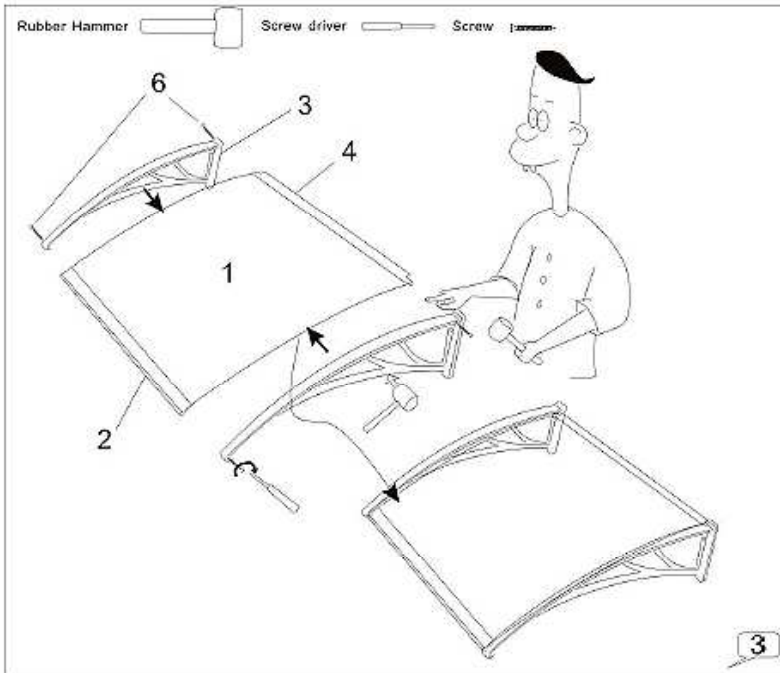
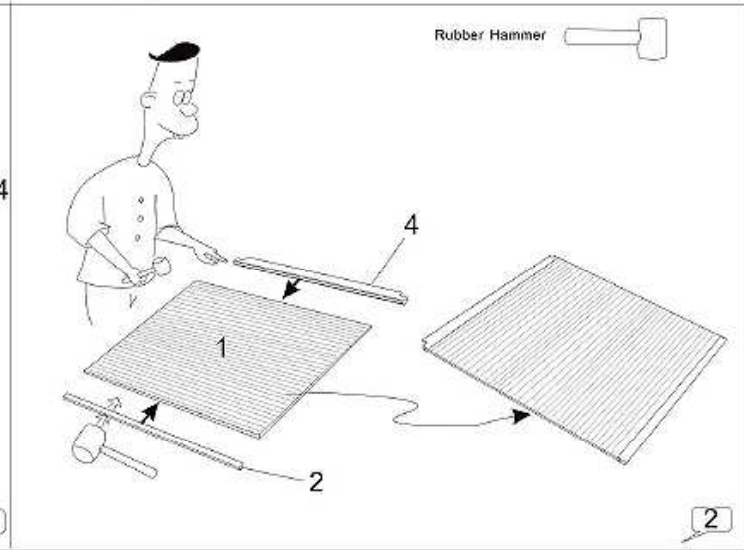
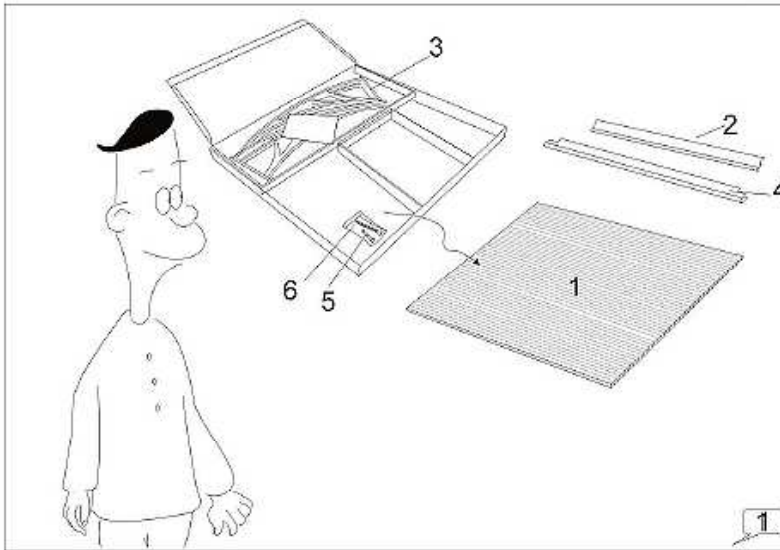


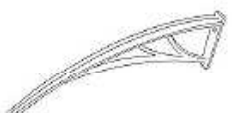




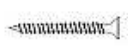
Assembling Instruction

Rubber Hammer  Screw driver  Power drill  Spanner  Hammer  10mm Masonry 



1 Board 2 Frontal Fixing Bar 3 Bracket 4 Back Fixing Bar 5 Setscrew

Drawing	Quantity	Indication
1. 	1	Reboss Board
2. 	1	Frontal Fixing Bar
3. 	2	Bracket

Drawing	Quantity	Indication
4. 	1	Back Fixing Bar
5. 	4	Setscrew
6. 	4	Screw

C & A Building Plastics
0845 165 165 8
<http://www.cabp.co.uk>

